

# PARTS LIST

[ KD-S6250 ]

[ KD-S580 ]

\* All printed circuit boards and its assemblies are not available as service parts.

Area suffix

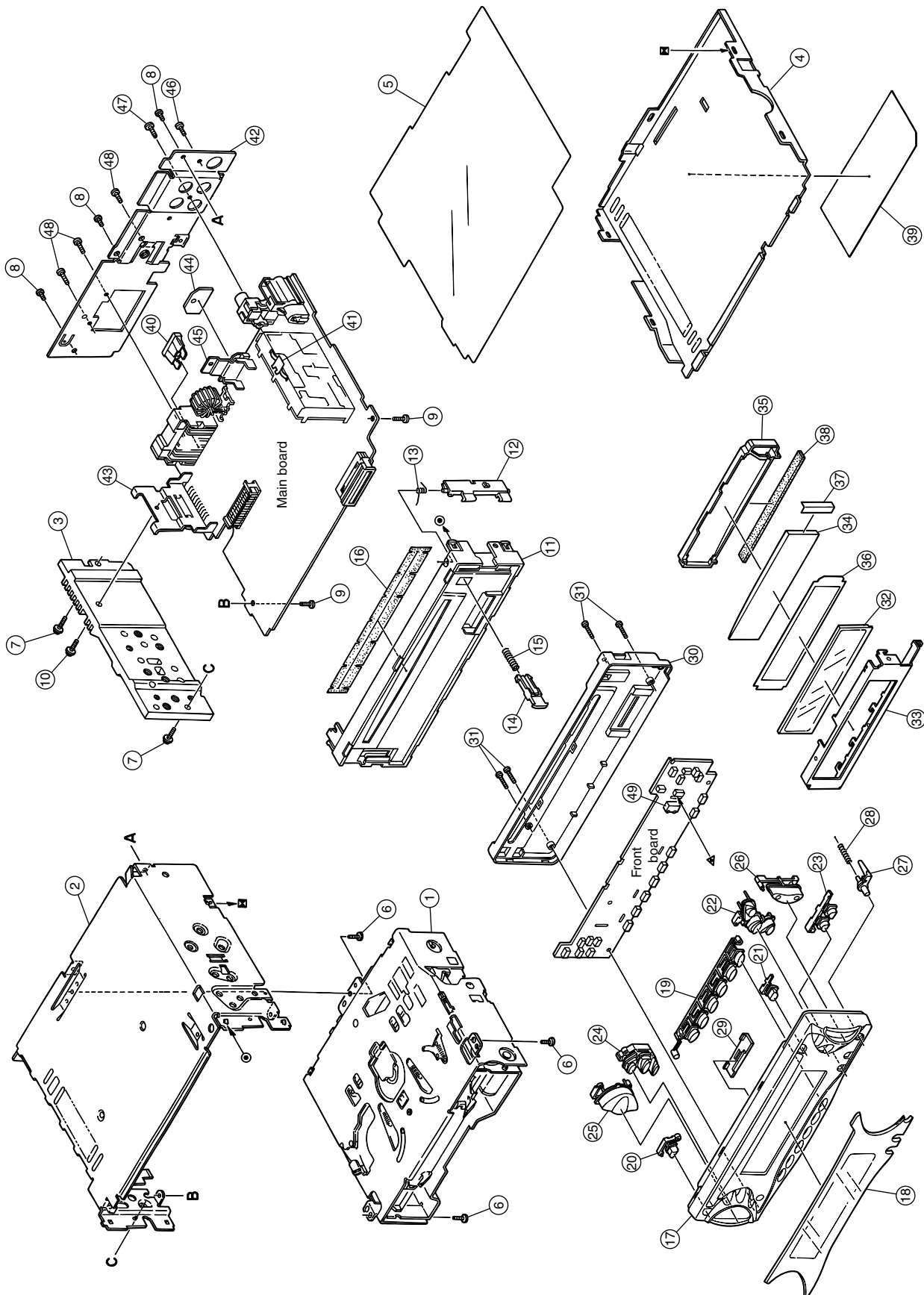
J ----- Northern America

## - Contents -

Exploded view of general assembly and parts list (Block No.M1) .....	3- 2
CD mechanism assembly and parts list (Block No.MB) .....	3- 5
Electrical parts list (Block No.01~02) .....	3- 8
Packing materials and accessories parts list (Block No.M3,M5) .....	3-12

# Exploded view of general assembly and parts list

Block No. M 1 M M



## ■ Parts list (General assembly)

Block No. M1MM

△	Item	Parts number	Parts name	Q'ty	Description	Area
	1	-----	CD MECHA	1	TN-CCD1001Z	
	2	FSJC1029-401	TOP CHASSIS	1		
	3	FSMH3001-204	SIDE PANEL	1	KD-S6250	
		FSMH3001-202	SIDE PANEL	1	KD-S580	
	4	FSKM3011-002	BOTTOM COVER	1		
	5	FSMA3004-203	INSULATOR	1		
	6	QYSDST2604Z	SCREW	3	CHASSIS+MECHA BKT	
	7	FSKZ4005-001	SCREW	2	CHASSIS+SIDE PANEL	
	8	QYSDST2604Z	SCREW	3	CHASSIS+REAR BKT	
	9	QYSDST2606Z	SCREW	2	CHASSIS+MAIN PWB	
	10	FSKZ4005-001	SCREW	1	SIDE PANEL+IC BKT	
	11	FSJC2013-014	FRONT CHASSIS	1	KD-S6250	
		FSJC2013-013	FRONT CHASSIS	1	KD-S580	
	12	FSKS3010-001	LOCK LEVER	1		
	13	FSKW4005-003	TORSION SPRING	1	FOR LOCK LEVEL	
	14	FSXP3026-002	RLS KNOB	1		
	15	FSKW3002-015	COMP.SPRING	1		
	16	FSPK3009-002	BLIND	1		
	17	GE10037-001A	FRONT PANEL	1	KD-S580	
		GE10037-003A	FRONT PANEL	1	KD-S6250	
	18	GE30300-001A	FINDER ASSY	1	KD-S580	
		GE30300-002A	FINDER ASSY	1	KD-S6250	
	19	GE20119-001A	PRESET BUTTON	1	1-6	
	20	GE30304-001A	POWER BUTTON	1		
	21	GE30305-001A	EJECT BUTTON	1		
	22	GE20131-001A	D FUNC BUTTON	1	KD-S580	
		GE20131-002A	D FUNC BUTTON	1	KD-S6250	
	23	GE30307-001A	SND FTN BUTTON	1		
	24	GE20130-001A	PUSH BUTTON	1	KD-S580	
		GE20130-002A	PUSH BUTTON	1	KD-S6250	
	25	GE20118-001A	+/- BUTTON	1		
	26	GE20120-001A	UP/DOWN BUTTON	1		
	27	GE30306-001A	DETACH BUTTON	1		
	28	FSKW3002-012	COMP. SPRING	1	FOR DETACH BUTTON	
	29	GE30117-001A	CD LENS	1		
	30	GE10038-001A	REAR COVER	1	KD-S580	
		GE10038-002A	REAR COVER	1	KD-S6250	
	31	VKZ4777-001	MINI SCREW	4	FRONT+REAR	
	32	QLD0210-002	LCD	1		
	33	GE30302-001A	LCD CASE	1		
	34	FSJK3025-001	LCD LENS	1		
	35	GE30301-001A	LENS CASE	1		
	36	GE40142-001A	LIGHTING SHEET	1		
	37	FSYH4071-003	LIGHTING SHEET	1		
	38	QNZ0442-001	RUBBER CONNE	1		
	39	GE30344-002A	NAME PLATE	1	KD-S580	
		GE30343-002A	NAME PLATE	1	KD-S6250	
△	40	QMFZ047-150-T	FUSE	1		

■ Parts list (General assembly)

Block No. M1MM

▲	Item	Parts number	Parts name	Q'ty	Description	Area
	41	VMA4652-001SS	EARTH PLATE	1		
	42	FSKM3010-020	REAR BRACKET	1		
	43	FSKL4024-001	IC BRACKET	1	FOR 45W IC	
	44	GE40104-001B	HEAT SINK	1		
	45	GE40103-001A	REG BRACKET	1		
	46	QYSDST2606Z	SCREW	1	FOR ANT	
	47	QYSDSF3006Z	SCREW	1	LINE OUT	
	48	QYSDST2606Z	SCREW	3	16P & TR BRACK	
	49	FSKS3016-002	LED HOLDER	1		

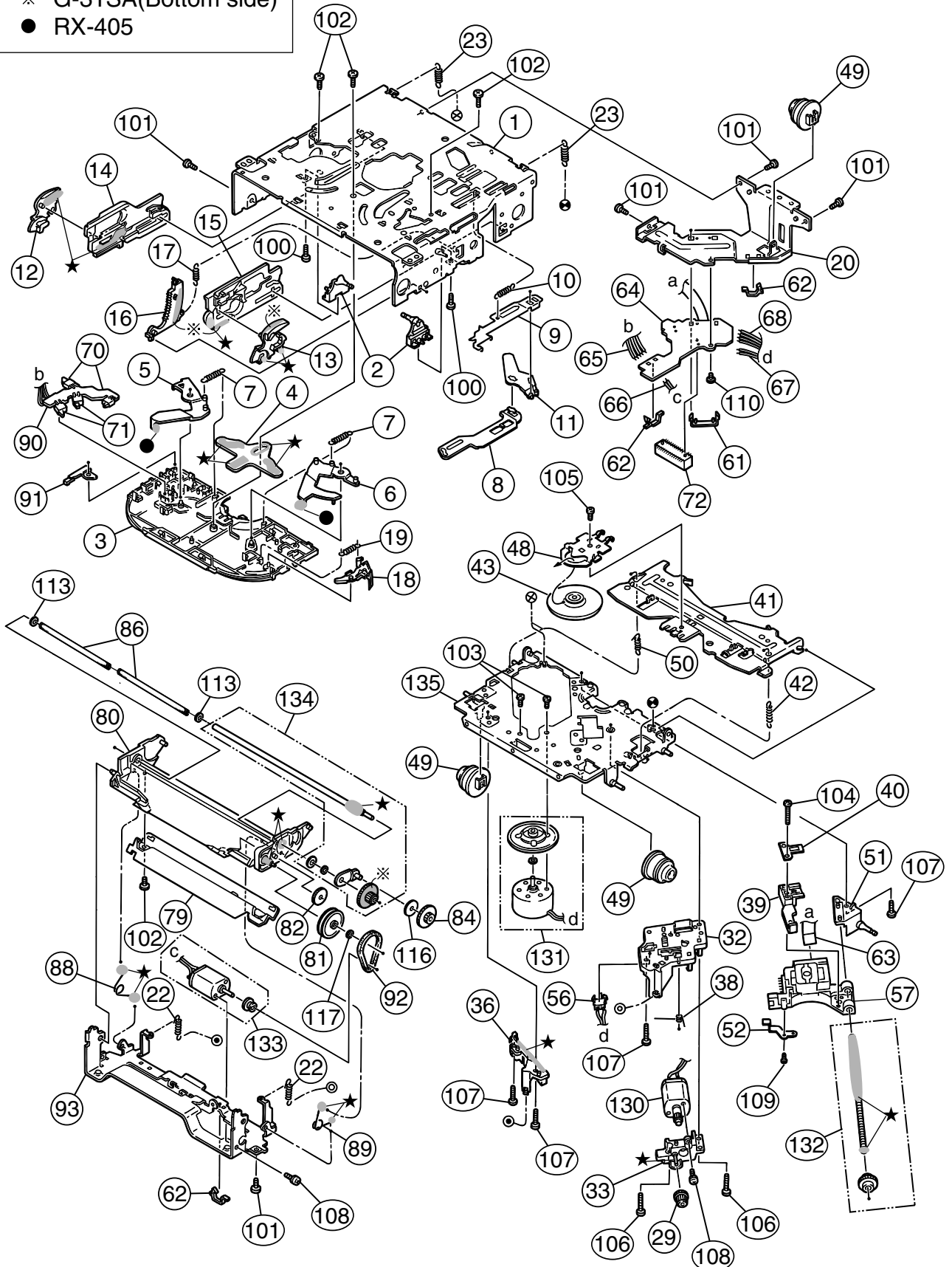
# CD mechanism assembly and parts list

**Grease**

- ★ G-31SA
- ※ G-31SA(Bottom side)
- RX-405

TN-CCD1001Z-136J

Block No. M B M M



## ■ Parts list (CD mechanism)

Block No. MBMM

△	Item	Parts number	Parts name	Q'ty	Description	Area
	1	30310101T	FRAME	1		
	2	30310103T	DANPER PIN	2		
	3	30310107T	UPPER PLATE	1		
	4	30310108T	SEL STOP PLATE	1		
	5	30310142T	SEL ARM (L)L	1		
	6	30310143T	SEL ARM (R)L	1		
	7	30310145T	S ARM SPRING(L)	2		
	8	30310112T	TRIG LEVER	1		
	9	30310155T	TRIG PL(Z)	1		
	10	30310115T	TRIG PL SPRING	1		
	11	30310116T	TRIG ARM	1		
	12	30310134T	FIX ARM (L)B	1		
	13	30310159T	FIX ARM (R)Z	1		
	14	30310150T	FIX PL (L)Z	1		
	15	30310156T	FIX PL (R) Z	1		
	16	30310138T	LDG GR (6)B	1		
	17	30310122T	LDG GEAR (6)SP	1		
	18	30310148T	S.L ARM(N)	1		
	19	30310125T	S.L ARM SPRING	1		
	20	30310149T	REAR DAM BKT(Z)	1		
	22	30310151T	HUNG UP SP (FZ)	2		
	23	30310129T	HUNG UP SP (R)	2		
	29	30300510T	PU GEAR(B)	1		
	32	30310544T	F.M.BASE(Z)	1		
	33	30310547T	FD GR BLK(Z)	1		
	36	30310546T	PU GUIDE(Z)	1		
	38	30310533T	THRUST SPR(M)	1		
	39	30310548T	PU M NUT(Z)	1		
	40	30310512T	NUT PUSH SPR PL	1		
	41	30310558T	CLP ARM(Z)	1		
	42	30310514T	CLP ARM SPRING	1		
	43	30310552T	CLAMPER(Z)	1		
	48	30310557T	CLAMPER PLATE(Z)	1		
	49	30310524T	DAMPER (J)	3		
	50	30310525T	CLP ARM SPR (L)	1		
	51	30310545T	F SCREW GUIDE(Z)	1		
	52	30310556T	PU G.SP PLT(Z)	1		
	56	64180405T	DET SW	1	ESE11SF4	
	57	OPTIMA-720L1	C.D PICK (CAR)	1		
	61	30311035T	FPC HOLDER(Z)	1		
	62	19501403T	WIRE CLAMPER	3		
	63	30311037T	PICK UP FPC(Z)	1		
	64	30311036T	CONNECT.PCB(Z-J)	1		
	65	30311038T	WIRE (5P-Z)	1		
	66	30311039T	WIRE (LD-Z)	1		
	67	30311040T	WIRE (FD-Z)	1		
	68	30311041T	WIRE (RS-Z)	1		
	70	64180402T	DET SWITCH	2	ESE22MH1	

**Parts list (CD mechanism)**

Block No. MBMM

△	Item	Parts number	Parts name	Q'ty	Description	Area
	71	64180403T	DET SWITCH	2	ESE22MH3	
	72	68150232T	CONNECTOR	1	TKC-W26X-C1	
	79	30311105T	SOPPORT PLATE	1		
	80	30311138T	GR MT BLK(N)	1		
	81	30311109T	LDG GEAR (2)	1		
	82	30311110T	LDG GEAR (3)	1		
	84	30311112T	LDG GEAR (5)	1		
	86	30311136T	LDG ROLLER	2		
	88	30311118T	L.P SPRING (L)	1		
	89	30311119T	L.P SPRING (R)	1		
	90	30311123T	SW PCB	1		
	91	30311124T	SW ACTUATOR	1		
	92	30311129T	LDG BELT	1		
	93	30311140T	FRONT BRKT (J)	1		
	100	9C0620503T	C B TAP SCREW	2	M2X5	
	101	9C2020401T	C SCREW TS.G	5	M2X4	
	102	9C4320403T	C B TAP SCREW	4	M2X4	
	103	9C0117223T	SCREW	2	M1.7X2.2	
	104	9C0917703T	C TAP SCREW S3	1	M1.7X7	
	105	9C0320201T	C TAP SCREW S3	1	M2X2	
	106	9C4920013T	C TAP SCREW S3	2	M2X10	
	107	9C4920603T	C TAP SCREW B3	4	M2X6	
	108	9P0220031T	TAMS SCREW	2	M2X3	
	109	9C0314203T	C TAP SCREW	1	M1.4X2	
	110	9C0420253	C TAP SCREW	1	M2X2.5	
	113	9W0330276	NW BLUE	2	2.9X5X0.3	
	116	9W0725030T	LUMILAR W	1	2.3X9.8X0.25	
	117	9W0640030T	WASHER	1	1.4X3.2X0.4	
	130	303105310T	FEED MO ASSY	1		
	131	303105311T	SPINDLE MO ASSY	1		
	132	303105312T	FEED SCREW ASSY	1		
	133	303111301T	LDG MOTOR ASSY	1		
	134	303111302T	RDG RLR SFT ASY	1		
	135	303105502T	T.T.BASE ASSY	1		

■ Electrical parts list (Main board)

Block No. 01

△	Item	Parts number	Parts name	Remarks	Area
	C 101	QERF1HM-105Z	E CAPACITOR	1.0MF 20% 50V	
	C 151	NCB31HK-102X	C CAPACITOR		
	C 152	QEKJ1EM-475Z	E CAPACITOR	4.7MF 20% 25V	
	C 153	NDC31HJ-151X	C CAPACITOR		
	C 155	QEKJ0JM-476Z	E CAPACITOR	47MF 20% 6.3V	
	C 201	QERF1HM-105Z	E CAPACITOR	1.0MF 20% 50V	
	C 251	NCB31HK-102X	C CAPACITOR		
	C 252	QERF1EM-475Z	E CAPACITOR	4.7MF 20% 25V	
	C 253	NDC31HJ-151X	C CAPACITOR		
	C 255	QERF0JM-476Z	E CAPACITOR	47MF 20% 6.3V	
	C 256	QERF1AM-107Z	E CAPACITOR	100MF 20% 10V	
	C 302	NCB31HK-822X	C CAPACITOR		
	C 303	NCB21CK-184X	C CAPACITOR		
	C 304	NCB21CK-224X	C CAPACITOR		
	C 305	NCB21HK-333X	C CAPACITOR		
	C 306	NCB31HK-562X	C CAPACITOR		
	C 307	QERF1EM-475Z	E CAPACITOR	4.7MF 20% 25V	
	C 308	QERF1EM-475Z	E CAPACITOR	4.7MF 20% 25V	
	C 309	QEKJ1AM-107Z	E CAPACITOR	100MF 20% 10V	
	C 310	NCB31HK-103X	C CAPACITOR		
	C 311	QEKJ1AM-107Z	E CAPACITOR	100MF 20% 10V	
	C 312	QEKJ1CM-476Z	E CAPACITOR	47MF 20% 16V	
	C 319	NCS31HJ-221X	C CAPACITOR		
	C 320	NCS31HJ-221X	C CAPACITOR		
	C 321	QERF1CM-107Z	E CAPACITOR	100MF 20% 16V	
	C 327	QEKJ1EM-475Z	E CAPACITOR	4.7MF 20% 25V	
	C 328	QEKJ1CM-476Z	E CAPACITOR	47MF 20% 16V	
	C 329	QEKJ1EM-475Z	E CAPACITOR	4.7MF 20% 25V	
	C 330	NCB31HK-223X	C CAPACITOR		
	C 331	NCB31HK-223X	C CAPACITOR		
	C 332	NCB31EK-104X	C CAPACITOR		
	C 333	NCB31EK-104X	C CAPACITOR		
	C 334	QERF1HM-105Z	E CAPACITOR	1.0MF 20% 50V	
	C 335	QERF1HM-105Z	E CAPACITOR	1.0MF 20% 50V	
	C 402	NCB31HK-822X	C CAPACITOR		
	C 403	NCB21CK-184X	C CAPACITOR		
	C 404	NCB21CK-224X	C CAPACITOR		
	C 405	NCB21HK-333X	C CAPACITOR		
	C 406	NCB31HK-562X	C CAPACITOR		
	C 407	QERF1EM-475Z	E CAPACITOR	4.7MF 20% 25V	
	C 408	QERF1EM-475Z	E CAPACITOR	4.7MF 20% 25V	
	C 419	NCS31HJ-221X	C CAPACITOR		
	C 420	NCS31HJ-221X	C CAPACITOR		
	C 427	QEKJ1CM-226Z	E CAPACITOR	22MF 20% 16V	
	C 432	NCB31EK-104X	C CAPACITOR		
	C 433	NCB31EK-104X	C CAPACITOR		
	C 434	QERF1HM-105Z	E CAPACITOR	1.0MF 20% 50V	
	C 435	QERF1HM-105Z	E CAPACITOR	1.0MF 20% 50V	
	C 501	NCB31EK-103X	C CAPACITOR		
	C 502	QEKJ1AM-107Z	E CAPACITOR	100MF 20% 10V	
	C 503	NCS31HJ-680X	C CAPACITOR		
	C 504	QEKJ1AM-107Z	E CAPACITOR	100MF 20% 10V	
	C 505	NCB31EK-103X	C CAPACITOR		
	C 506	NDC31HJ-3R0X	C CAPACITOR		
	C 507	NCB31EK-104X	C CAPACITOR		
	C 508	QEKJ1HM-105Z	E CAPACITOR	1.0MF 20% 50V	
	C 509	NDC31HJ-101X	C CAPACITOR		
	C 510	NCB31EK-273X	C CAPACITOR		
	C 511	NCB31HK-472X	C CAPACITOR		
	C 512	NCB31HK-103X	C CAPACITOR		
	C 513	NDC31HJ-331X	C CAPACITOR		
	C 514	NCB31EK-104X	C CAPACITOR		
	C 515	NCB31EK-103X	C CAPACITOR		

△	Item	Parts number	Parts name	Remarks	Area
	C 516	QEKJ1AM-107Z	E CAPACITOR	100MF 20% 10V	
	C 518	NCB31AK-224X	C CAPACITOR		
	C 519	NCB31EK-473X	C CAPACITOR		
	C 520	NDC31HJ-470X	C CAPACITOR		
	C 521	NDC31HJ-561X	C CAPACITOR		
	C 522	NCB31HK-223X	C CAPACITOR		
	C 523	NCB31HK-223X	C CAPACITOR		
	C 524	NCB31HK-102X	C CAPACITOR		
	C 525	NCB31HK-102X	C CAPACITOR		
	C 527	NCB31EK-223X	C CAPACITOR		
	C 528	NCB31HK-182X	C CAPACITOR		
	C 529	NCB31HK-122X	C CAPACITOR		
	C 530	NDC31HJ-680X	C CAPACITOR		
	C 541	QERF1CM-226Z	E CAPACITOR	22MF 20% 16V	
	C 542	NCB31HK-472X	C CAPACITOR		
	C 543	NCB31EK-333X	C CAPACITOR		
	C 551	QERF1AM-227Z	E CAPACITOR	220MF 20% 10V	
	C 552	NCB31EK-103X	C CAPACITOR		
	C 561	NCB31EK-103X	C CAPACITOR		
	C 562	NCB31EK-103X	C CAPACITOR		
	C 563	NCB31HK-102X	C CAPACITOR		
	C 564	NCB21CK-274X	C CAPACITOR		
	C 565	NCB31EK-104X	C CAPACITOR		
	C 566	NCB31AK-474X	C CAPACITOR		
	C 567	QERF1AM-107Z	E CAPACITOR	100MF 20% 10V	
	C 568	NCB31EK-103X	C CAPACITOR		
	C 571	NCB31EK-103X	C CAPACITOR		
	C 572	QEKJ1AM-107Z	E CAPACITOR	100MF 20% 10V	
	C 573	QERF1AM-227Z	E CAPACITOR	220MF 20% 10V	
	C 574	NCB31EK-103X	C CAPACITOR		
	C 576	NCB31HK-152X	C CAPACITOR		
	C 577	NCB31EK-104X	C CAPACITOR		
	C 579	NCB31HK-102X	C CAPACITOR		
	C 701	QERF1AM-476Z	E CAPACITOR	47MF 20% 10V	
	C 702	QEKJ1HM-104Z	E CAPACITOR	.10MF 20% 50V	
	C 703	QERF1HM-104Z	E CAPACITOR	.10MF 20% 50V	
	C 709	NCB31EK-333X	C CAPACITOR		
	C 710	NCB31EK-333X	C CAPACITOR		
	C 711	NCB31EK-103X	C CAPACITOR		
	C 712	QEKJ1HM-104Z	E CAPACITOR	.10MF 20% 50V	
	C 714	NCS31HJ-121X	C CAPACITOR		
	C 717	NCS31HJ-221X	C CAPACITOR		
	C 718	NCB31EK-223X	C CAPACITOR		
	C 720	QERF1AM-227Z	E CAPACITOR	220MF 20% 10V	
	C 725	NCB31EK-103X	C CAPACITOR		
	C 731	QERF1HM-225Z	E CAPACITOR	2.2MF 20% 50V	
	C 732	NCB31HK-102X	C CAPACITOR		
	C 733	QERF1AM-227Z	E CAPACITOR	220MF 20% 10V	
	C 801	QEKJ0JM-227Z	E CAPACITOR	220MF 20% 6.3V	
	C 802	NCB31EK-103X	C CAPACITOR		
	C 803	NDC31HJ-220X	C CAPACITOR		
	C 804	NDC31HJ-330X	C CAPACITOR		
	C 807	QERF1CM-106Z	E CAPACITOR	10MF 20% 16V	
	C 821	NCB31EK-104X	C CAPACITOR		
	C 822	NCB31EK-104X	C CAPACITOR		
	C 823	NCB31EK-104X	C CAPACITOR		
	C 861	QEKJ0JM-227Z	E CAPACITOR	220MF 20% 6.3V	
	C 862	NCB31EK-823X	C CAPACITOR		
	C 901	QEZ0337-228	E CAPACITOR	2200MF	
	C 902	NCB31HK-103X	C CAPACITOR		
	C 903	QEKJ1CM-226Z	E CAPACITOR	22MF 20% 16V	
	C 904	QERF1CM-226Z	E CAPACITOR	22MF 20% 16V	
	C 905	QERF1CM-226Z	E CAPACITOR	22MF 20% 16V	



## ■ Electrical parts list (Main board)

Block No. 01

Item	Parts number	Parts name	Remarks	Area	Item	Parts number	Parts name	Remarks	Area
C 906	NCB31EK-104X	C CAPACITOR			Q 731	2SC1623/5-6/-X	SI TRANSISTOR	KD-S580	
C 907	NCB31HK-103X	C CAPACITOR			Q 732	2SC1623/5-6/-X	SI TRANSISTOR	KD-S580	
C 908	QERF1AM-107Z	E CAPACITOR	100MF 20% 10V		Q 732	2SC2412K/R/-X	SI TRANSISTOR	KD-S6250	
C 909	QERF1AM-107Z	E CAPACITOR	100MF 20% 10V		Q 791	2SB1197K/QR/-X	TRANSISTOR		
C 910	NCB31HK-103X	C CAPACITOR			Q 792	2SA1037AK/RS/-X	SI TRANSISTOR	KD-S6250	
C 911	QERF1AM-227Z	E CAPACITOR	220MF 20% 10V		Q 792	2SA812/5-6/-X	SI TRANSISTOR	KD-S580	
C 914	NCB31EK-104X	C CAPACITOR			Q 793	DTC114EKA-X	TRANSISTOR		
C 915	NCB11CK-225X	C CAPACITOR			Q 861	DTA114EKA-X	DIGI TRANSISTOR		
C 916	QERF1HM-225Z	E CAPACITOR	2.2MF 20% 50V		Q 902	2SC2412K/R/-X	SI TRANSISTOR	KD-S6250	
CJ321	QNN0170-001	PIN JACK (REEL)	KD-S580		Q 902	2SC1623/5-6/-X	SI TRANSISTOR	KD-S580	
CJ321	QNN0201-001	PIN JACK (REEL)	KD-S6250		Q 903	2SA1037AK/RS/-X	SI TRANSISTOR	KD-S6250	
CJ701	QNB0100-002	ANT TERMINAL			Q 903	2SA812/5-6/-X	SI TRANSISTOR	KD-S580	
CN501	QGB2027M1-26S	CONNECTOR			R 101	NRSA63J-272X	MG RESISTOR		
CN801	VMC0334-001	CONNECTOR			R 102	NRSA63J-512X	MG RESISTOR		
CN901	QNZ0002-001	16P CONNECTOR			R 151	NRSA63J-183X	MG RESISTOR		
D 321	1SS254-T2	SI DIODE			R 152	NRSA63J-123X	MG RESISTOR		
D 332	1SS355-X	DIODE			R 153	NRSA63J-273X	MG RESISTOR		
D 333	1SS355-X	DIODE			R 154	NRSA63J-223X	MG RESISTOR		
D 551	DSK10C-T1	DIODE			R 155	NRSA63J-152X	MG RESISTOR		
D 701	1SS254-T2	SI DIODE			R 156	NRS181J-223X	MG RESISTOR		
D 702	1SS254-T2	SI DIODE			R 201	NRSA63J-272X	MG RESISTOR		
D 731	MTZJ10B-T2	Z DIODE			R 202	NRSA63J-512X	MG RESISTOR		
D 791	1SS355-X	DIODE			R 251	NRSA63J-183X	MG RESISTOR		
D 792	1SS355-X	DIODE			R 252	NRSA63J-123X	MG RESISTOR		
D 810	1SS355-X	DIODE			R 253	NRSA63J-273X	MG RESISTOR		
D 821	UDZS6.2B-X	SI DIODE			R 254	NRSA63J-223X	MG RESISTOR		
D 822	UDZS6.2B-X	SI DIODE			R 255	NRSA63J-152X	MG RESISTOR		
D 823	UDZS6.2B-X	SI DIODE			R 256	NRS181J-223X	MG RESISTOR		
D 824	UDZS6.2B-X	SI DIODE			R 301	NRSA63J-223X	MG RESISTOR		
D 825	UDZS6.2B-X	SI DIODE			R 302	NRSA63J-222X	MG RESISTOR		
D 826	UDZS6.2B-X	SI DIODE			R 303	NRSA63J-473X	MG RESISTOR		
D 827	UDZS6.2B-X	SI DIODE			R 304	NRSA63J-473X	MG RESISTOR		
D 828	UDZS6.2B-X	SI DIODE			R 307	NRSA63J-273X	MG RESISTOR		
D 861	MTZJ4.7B-T2	Z DIODE			R 308	NRSA63J-273X	MG RESISTOR		
D 866	1SS355-X	DIODE			R 321	NRS181J-473X	MG RESISTOR		
D 867	1SS355-X	DIODE			R 322	NRS181J-471X	MG RESISTOR		
D 868	1SS355-X	DIODE			R 323	NRS181J-102X	MG RESISTOR		
D 869	1SS355-X	DIODE			R 333	NRSA63J-102X	MG RESISTOR		
D 901	1N5401-F64	SI DIODE			R 334	NRSA63J-101X	MG RESISTOR		
D 902	SB10-03A3-T2	SB DIODE			R 336	NRSA63J-222X	MG RESISTOR		
D 903	1SS254-T2	SI DIODE			R 401	NRSA63J-223X	MG RESISTOR		
D 904	CRS03-W	SB DIODE			R 402	NRSA63J-222X	MG RESISTOR		
IC151	NJM4565M-WE	IC			R 403	NRSA63J-473X	MG RESISTOR		
IC301	TEA6320T-X	IC			R 404	NRSA63J-473X	MG RESISTOR		
IC321	LA4743K	IC			R 407	NRSA63J-273X	MG RESISTOR		
IC501	AN8806SB-W	IC			R 408	NRSA63J-273X	MG RESISTOR		
IC541	LA6567H-X	IC			R 433	NRSA63J-102X	MG RESISTOR		
IC561	MN6627482WA	IC			R 434	NRSA63J-101X	MG RESISTOR		
IC801	LC72366-9A73	IC			R 436	NRSA63J-222X	MG RESISTOR		
IC901	HA13164A	IC			R 501	NRS181J-220X	MG RESISTOR		
L 501	QQL231K-4R7Y	INDUCTOR			R 502	NRS181J-220X	MG RESISTOR		
L 561	QQL231K-4R7Y	INDUCTOR			R 503	NRS181J-102X	MG RESISTOR		
L 562	QQL231K-4R7Y	INDUCTOR			R 504	NRSA63J-392X	MG RESISTOR		
L 701	QQL231K-4R7Y	INDUCTOR			R 505	NRSA63J-224X	MG RESISTOR		
L 801	QQL231K-4R7Y	INDUCTOR			R 506	NRSA63J-223X	MG RESISTOR		
L 901	QQR0703-001	CHOKE COIL			R 507	NRSA63J-822X	MG RESISTOR		
Q 321	DTC114EKA-X	TRANSISTOR			R 508	NRSA63J-104X	MG RESISTOR		
Q 332	2SD1781K/QR/-X	TRANSISTOR			R 509	NRSA63J-223X	MG RESISTOR		
Q 432	2SD1781K/QR/-X	TRANSISTOR			R 510	NRSA63J-154X	MG RESISTOR		
Q 501	2SA1706/ST/-T	TRANSISTOR			R 511	NRSA63J-274X	MG RESISTOR		
Q 541	2SA1706/ST/-T	TRANSISTOR			R 512	NRSA63J-563X	MG RESISTOR		
Q 701	DTC114EKA-X	TRANSISTOR			R 513	NRSA63J-563X	MG RESISTOR		
Q 731	2SC2412K/R/-X	SI TRANSISTOR	KD-S6250		R 514	NRSA63J-123X	MG RESISTOR		

■ Electrical parts list (Main board)

Block No. 01

△	Item	Parts number	Parts name	Remarks	Area
	R 515	NRSA63J-123X	MG RESISTOR		
	R 516	NRSA63J-123X	MG RESISTOR		
	R 517	NRSA63J-123X	MG RESISTOR		
	R 518	NRSA63J-822X	MG RESISTOR		
	R 519	NRSA63J-105X	MG RESISTOR		
	R 541	NRS181J-621X	MG RESISTOR		
	R 542	NRSA63J-432X	MG RESISTOR		
	R 543	NRSA63J-303X	MG RESISTOR		
	R 544	NRSA63J-332X	MG RESISTOR		
	R 545	NRSA63J-123X	MG RESISTOR		
	R 546	NRSA63J-563X	MG RESISTOR		
	R 547	NRSA63J-154X	MG RESISTOR		
	R 548	NRSA63J-432X	MG RESISTOR		
	R 549	NRSA63J-203X	MG RESISTOR		
	R 550	NRSA63J-682X	MG RESISTOR		
	R 551	NRSA63J-822X	MG RESISTOR		
	R 560	NRS181J-101X	MG RESISTOR		
	R 561	NRSA63J-102X	MG RESISTOR		
	R 562	NRSA63J-102X	MG RESISTOR		
	R 563	NRSA63J-102X	MG RESISTOR		
	R 564	NRSA63J-102X	MG RESISTOR		
	R 567	NRSA63J-102X	MG RESISTOR		
	R 568	NRSA63J-102X	MG RESISTOR		
	R 569	NRSA63J-102X	MG RESISTOR		
	R 570	NRSA63J-102X	MG RESISTOR		
	R 571	NRS181J-333X	MG RESISTOR		
	R 573	NRSA63J-333X	MG RESISTOR		
	R 574	NRSA63J-221X	MG RESISTOR		
	R 575	NRSA63J-221X	MG RESISTOR		
	R 576	NRSA63J-0R0X	MG RESISTOR		
	R 577	NRSA63J-104X	MG RESISTOR		
	R 579	NRSA63J-102X	MG RESISTOR		
	R 580	NRSA63J-224X	MG RESISTOR		
	R 581	NRSA63J-0R0X	MG RESISTOR		
	R 701	NRSA63J-102X	MG RESISTOR		
	R 702	NRSA63J-0R0X	MG RESISTOR		
	R 703	NRSA63J-102X	MG RESISTOR		
	R 704	NRSA63J-0R0X	MG RESISTOR		
	R 705	NRSA63J-103X	MG RESISTOR		
	R 708	NRSA63J-822X	MG RESISTOR		
	R 725	NRSA63J-820X	MG RESISTOR		
	R 731	NRS181J-152X	MG RESISTOR		
	R 732	NRSA63J-102X	MG RESISTOR		
	R 733	NRSA63J-103X	MG RESISTOR		
	R 734	NRS181J-471X	MG RESISTOR		
	R 791	NRSA63J-103X	MG RESISTOR		
	R 792	NRSA63J-102X	MG RESISTOR		
	R 793	NRSA63J-103X	MG RESISTOR		
	R 794	NRSA63J-222X	MG RESISTOR		
	R 795	NRS181J-150X	MG RESISTOR		
	R 796	NRS181J-150X	MG RESISTOR		
	R 797	NRS181J-100X	MG RESISTOR		
	R 798	NRSA63J-223X	MG RESISTOR		
	R 799	NRSA63J-473X	MG RESISTOR		
	R 801	NRS181J-103X	MG RESISTOR		
	R 803	NRS181J-332X	MG RESISTOR		
	R 804	NRS181J-332X	MG RESISTOR		
	R 805	NRS181J-332X	MG RESISTOR		
	R 807	NRS181J-473X	MG RESISTOR		
	R 808	NRS181J-102X	MG RESISTOR		
	R 809	NRS181J-103X	MG RESISTOR		
	R 810	NRSA63J-104X	MG RESISTOR		
	R 811	NRSA63J-332X	MG RESISTOR		

△	Item	Parts number	Parts name	Remarks	Area
	R 812	NRSA63J-332X	MG RESISTOR		
	R 813	NRSA63J-473X	MG RESISTOR		
	R 814	NRSA63J-473X	MG RESISTOR		
	R 815	NRSA63J-473X	MG RESISTOR		
	R 816	NRSA63J-473X	MG RESISTOR		
	R 817	NRS181J-472X	MG RESISTOR		
	R 818	NRS181J-473X	MG RESISTOR	KD-S580	
	R 822	NRSA63J-222X	MG RESISTOR		
	R 823	NRSA63J-473X	MG RESISTOR		
	R 825	NRS181J-473X	MG RESISTOR		
	R 826	NRSA63J-473X	MG RESISTOR		
	R 827	NRSA63J-473X	MG RESISTOR		
	R 828	NRSA63J-473X	MG RESISTOR		
	R 829	NRS181J-473X	MG RESISTOR		
	R 830	NRS181J-223X	MG RESISTOR		
	R 831	NRS181J-472X	MG RESISTOR		
	R 832	NRS181J-223X	MG RESISTOR		
	R 833	NRS181J-472X	MG RESISTOR		
	R 834	NRS181J-223X	MG RESISTOR		
	R 835	NRS181J-472X	MG RESISTOR		
	R 836	NRSA63J-473X	MG RESISTOR		
	R 840	NRSA63J-473X	MG RESISTOR		
	R 841	NRSA63J-473X	MG RESISTOR		
	R 842	NRSA63J-473X	MG RESISTOR		
	R 843	NRSA63J-0R0X	MG RESISTOR		
	R 844	NRSA63J-0R0X	MG RESISTOR		
	R 845	NRSA63J-0R0X	MG RESISTOR		
	R 861	NRS181J-471X	MG RESISTOR		
	R 862	NRS181J-471X	MG RESISTOR		
	R 901	NRSA63J-912X	MG RESISTOR		
	R 902	QRZ0125-102X	C RESISTOR	1.0K 1W	
	R 903	NRSA63J-472X	MG RESISTOR		
	R 904	NRSA63J-104X	MG RESISTOR		
	R 905	NRSA63J-472X	MG RESISTOR		
	R 906	NRSA63J-472X	MG RESISTOR		
	R 907	NRSA63J-393X	MG RESISTOR		
	R 908	NRSA63J-683X	MG RESISTOR		
	R 909	NRSA63J-273X	MG RESISTOR		
	R 910	NRSA63J-473X	MG RESISTOR		
	R 911	NRS181J-473X	MG RESISTOR		
	TU701	QAU0257-001	TUNER		
	X 561	QAX0714-001Z	C RESONATOR		
	X 801	QAX0406-001Z	CRYSTAL		

■ Electrical parts list (Front board)

Block No. 02

Item	Parts number	Parts name	Remarks	Area
C 601	NCB31HK-223X	C CAPACITOR		
C 602	NCS31HJ-681X	C CAPACITOR		
C 603	NBE20JM-106X	TS E CAP SVB20J		
C 611	NCB31HK-123X	C CAPACITOR	KD-S6250	
C 612	NBE20JM-475X	TA E CAPACITOR	KD-S6250	
CJ601	VMC0335-001	CONNECTOR		
D 601	SML-310VT/JK/-X	LED	VOL+ R LED	
D 602	SML-310VT/JK/-X	LED	VOL- R LED	
D 603	SML-310VT/JK/-X	LED	LOUD R LED	
D 604	SML-310VT/JK/-X	LED	SEL R LED	
D 605	SML-310VT/JK/-X	LED	DISP R LED	
D 606	SML-310VT/JK/-X	LED	1 R LED	
D 607	SML-310VT/JK/-X	LED	2 R LED	
D 608	SML-310VT/JK/-X	LED	3 R LED	
D 609	SML-310VT/JK/-X	LED	4 R LED	
D 610	SML-310VT/JK/-X	LED	5 R LED	
D 611	SML-310VT/JK/-X	LED	6 R LED	
D 612	SML-310VT/JK/-X	LED	MODE R LED	
D 613	LT1F67AF-W	LED	SCM G LED	
D 614	SML-310VT/JK/-X	LED	EJECT R LED	
D 615	SML-310VT/JK/-X	LED	FM R LED	
D 616	SML-310VT/JK/-X	LED	CD R LED	
D 617	SML-310VT/JK/-X	LED	AM R LED	
D 618	SML-310VT/JK/-X	LED	UP R LED	
D 619	SML-310VT/JK/-X	LED	DOWN R LED	
D 620	SML-310LT/MN/-X	LED	POWER R LED	
D 641	UDZS5.1B-X	Z DIODE		
D 642	1SS355-X	DIODE		
D 643	1SS355-X	DIODE		
D 644	UDZS5.1B-X	ZENER DIODE	KD-S6250	
D 645	UDZS6.2B-X	SI DIODE		
D 731	NSPW310BS/BRS/	LED		
D 732	NSPW310BS/BRS/	LED		
IC601	LC75823W	IC		
IC602	RPM6938-SV4	IC(M)	KD-S6250	
R 601	NRSA63J-681X	MG RESISTOR		
R 602	NRSA63J-561X	MG RESISTOR		
R 603	NRSA63J-681X	MG RESISTOR		
R 604	NRSA63J-911X	MG RESISTOR		
R 605	NRSA63J-122X	MG RESISTOR		
R 606	NRSA63J-681X	MG RESISTOR		
R 607	NRSA63J-561X	MG RESISTOR		
R 608	NRSA63J-681X	MG RESISTOR		
R 609	NRSA63J-911X	MG RESISTOR		
R 610	NRSA63J-122X	MG RESISTOR		
R 611	NRSA63J-152X	MG RESISTOR		
R 612	NRSA63J-681X	MG RESISTOR		
R 613	NRSA63J-561X	MG RESISTOR		
R 614	NRSA63J-681X	MG RESISTOR		
R 615	NRSA63J-911X	MG RESISTOR		
R 616	NRSA63J-122X	MG RESISTOR		
R 617	NRSA63J-152X	MG RESISTOR		
R 631	NRSA02J-821X	MG RESISTOR		
R 632	NRSA02J-222X	MG RESISTOR		
R 633	NRSA02J-222X	MG RESISTOR		
R 634	NRSA02J-102X	MG RESISTOR		
R 635	NRSA02J-102X	MG RESISTOR		
R 636	NRSA02J-122X	MG RESISTOR		
R 637	NRSA02J-122X	MG RESISTOR		
R 638	NRSA02J-391X	MG RESISTOR		
R 639	NRSA02J-391X	MG RESISTOR		
R 640	NRSA02J-391X	MG RESISTOR		
R 641	NRSA02J-391X	MG RESISTOR		

Item	Parts number	Parts name	Remarks	Area
R 642	NRSA02J-681X	MG RESISTOR		
R 643	NRSA02J-681X	MG RESISTOR		
R 644	NRSA02J-102X	MG RESISTOR		
R 645	NRSA02J-102X	MG RESISTOR		
R 651	NRSA63J-222X	MG RESISTOR		
R 652	NRSA63J-222X	MG RESISTOR		
R 653	NRSA63J-103X	MG RESISTOR		
R 654	NRSA63J-103X	MG RESISTOR		
R 655	NRSA63J-103X	MG RESISTOR		
R 656	NRSA63J-103X	MG RESISTOR		
R 657	NRSA63J-513X	MG RESISTOR		
R 658	NRSA63J-184X	MG RESISTOR		
R 661	NRSA63J-103X	MG RESISTOR	KD-S6250	
R 662	NRSA63J-471X	MG RESISTOR	KD-S6250	
R 731	NRS181J-681X	MG RESISTOR		
R 732	NRS181J-681X	MG RESISTOR		
S 601	NSW0066-001X	TACT SWITCH	POWER	
S 602	NSW0066-001X	TACT SWITCH	VOL-	
S 603	NSW0066-001X	TACT SWITCH	VOL+	
S 604	NSW0066-001X	TACT SWITCH	LOUD	
S 605	NSW0066-001X	TACT SWITCH	DISP	
S 606	NSW0066-001X	TACT SWITCH	1	
S 607	NSW0066-001X	TACT SWITCH	SELECT	
S 608	NSW0066-001X	TACT SWITCH	2	
S 609	NSW0066-001X	TACT SWITCH	3	
S 610	NSW0066-001X	TACT SWITCH	4	
S 611	NSW0066-001X	TACT SWITCH	5	
S 612	NSW0066-001X	TACT SWITCH	EJECT	
S 613	NSW0066-001X	TACT SWITCH	UP	
S 614	NSW0066-001X	TACT SWITCH	6	
S 615	NSW0066-001X	TACT SWITCH	MODE	
S 616	NSW0066-001X	TACT SWITCH	SCM	
S 617	NSW0066-001X	TACT SWITCH	DOWN	
S 618	NSW0066-001X	TACT SWITCH	AM	
S 619	NSW0066-001X	TACT SWITCH	FM	
S 620	NSW0066-001X	TACT SWITCH	CD	

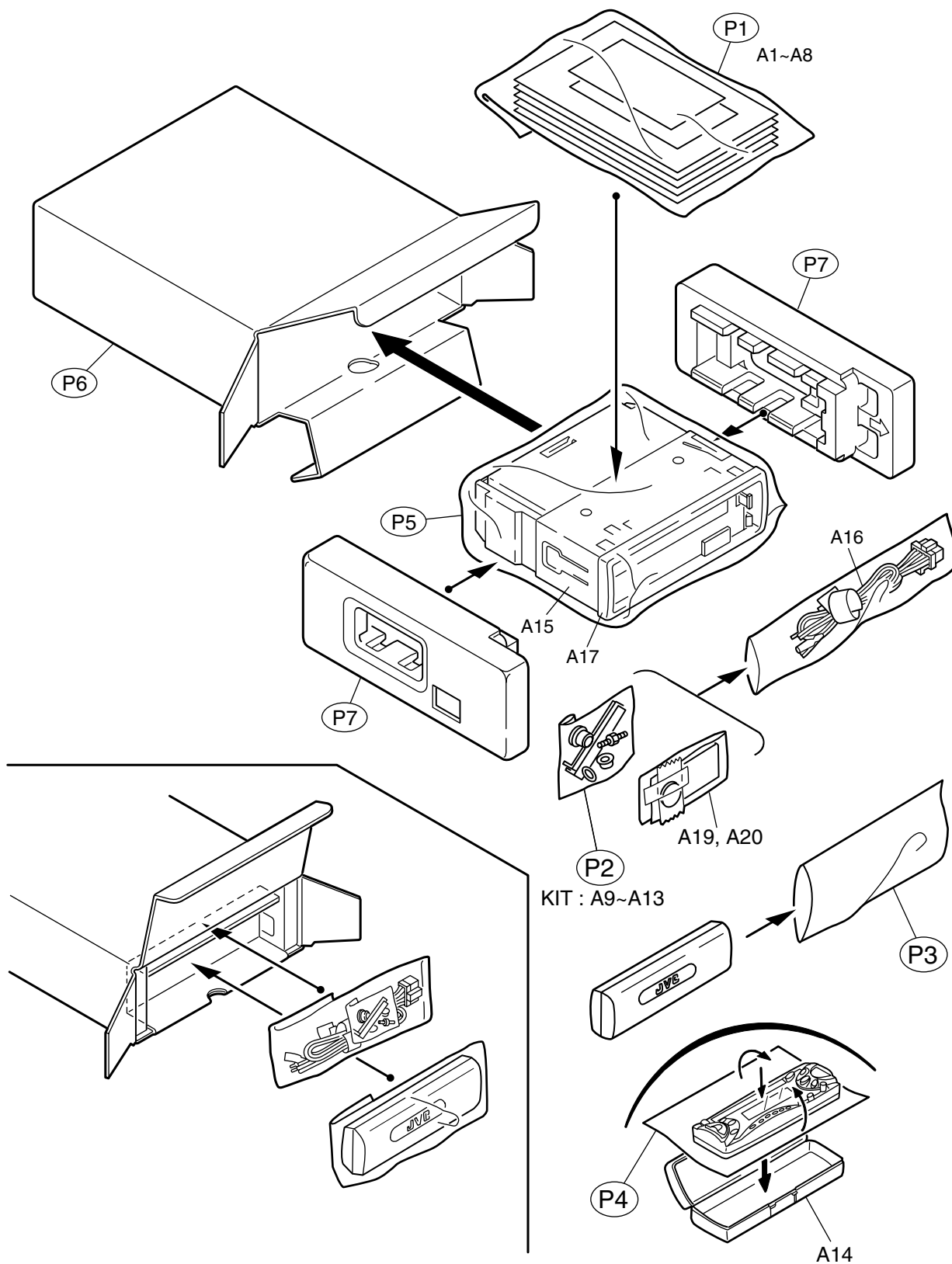
# Packing materials and accessories parts list

Block No. 

M	3	M	M
---	---	---	---

Block No. 

M	5	M	M
---	---	---	---



## ■ Parts list (Packing)

Block No. M3MM

△	Item	Parts number	Parts name	Q'ty	Description	Area
	P 1	FSPG4002-001	POLY BAG	1	FOR INST BOOK	
	P 2	QPA00801205	POLY BAG	1	FOR SCREW KIT	
	P 3	QPA01003003	POLY BAG	1	FOR HARD CASE	
	P 4	FSYH4036-068	SHEET	1		
	P 5	QPC03004315P	POLY BAG	1	FOR SET	
	P 6	GE30407-013A	PACKING CASE	1	KD-S580	
		GE30407-012A	PACKING CASE	1	KD-S6250	
	P 7	GE10036-001A	EPS CUSHION	2		

## ■ Parts list (Accessories)

Block No. M5MM

△	Item	Parts number	Parts name	Q'ty	Description	Area
	A 1	GET0064-001A	INST BOOK	1	ENG, SPA, FRE	
	A 2	GET0064-002A	INSTALL MANUAL	1	ENG, SPA, FRE	
	A 3	GET0093-001A	CAUTION SHEET	1		
	A 4	LVT0717-001A	TROUBLE SHEET	1		
	A 5	BT-51029-1	WARRANTY CARD	1	KD-S6250	
		BT-51018-3	WARRANTY CARD	1	KD-S580	
	A 6	BT-52004-2	WARRANTY CARD	1	KD-S580	
		BT-52005-1	WARRANTY CARD	1	KD-S6250	
	A 7	BT-51028-1	J=REGIST CAR	1		
	A 8	BT-20071B	JVC CENTER LIST	1		
	A 9	VKZ4027-202	PLUG NUT	1		
	A 10	VKH4871-001SS	MOUNT BOLT	1		
	A 11	VKZ4328-001	LOCK NUT	1		
	A 12	WNS5000Z	WASHER	1		
	A 13	FSKL4010-002	HOOK	2		
	A 14	FSJB3001-30C	HARD CASE	1		
	A 15	FSKM2004-202	MOUNTING SLEEVE	1		
	A 16	QAM0013-006	16P CORD ASS'Y	1		
	A 17	FSJD2034-011	TRIM PLATE	1	KD-S580	
		FSJD2034-015	TRIM PLATE	1	KD-S6250	
	A 19	RM-RK31	REMOCON	1	KD-S6250	
	A 20	-----	BATTERY	1	KD-S6250	
	KIT	KDGS717K-SCREW1	SCREW PARTS KIT	1	A9-A13	